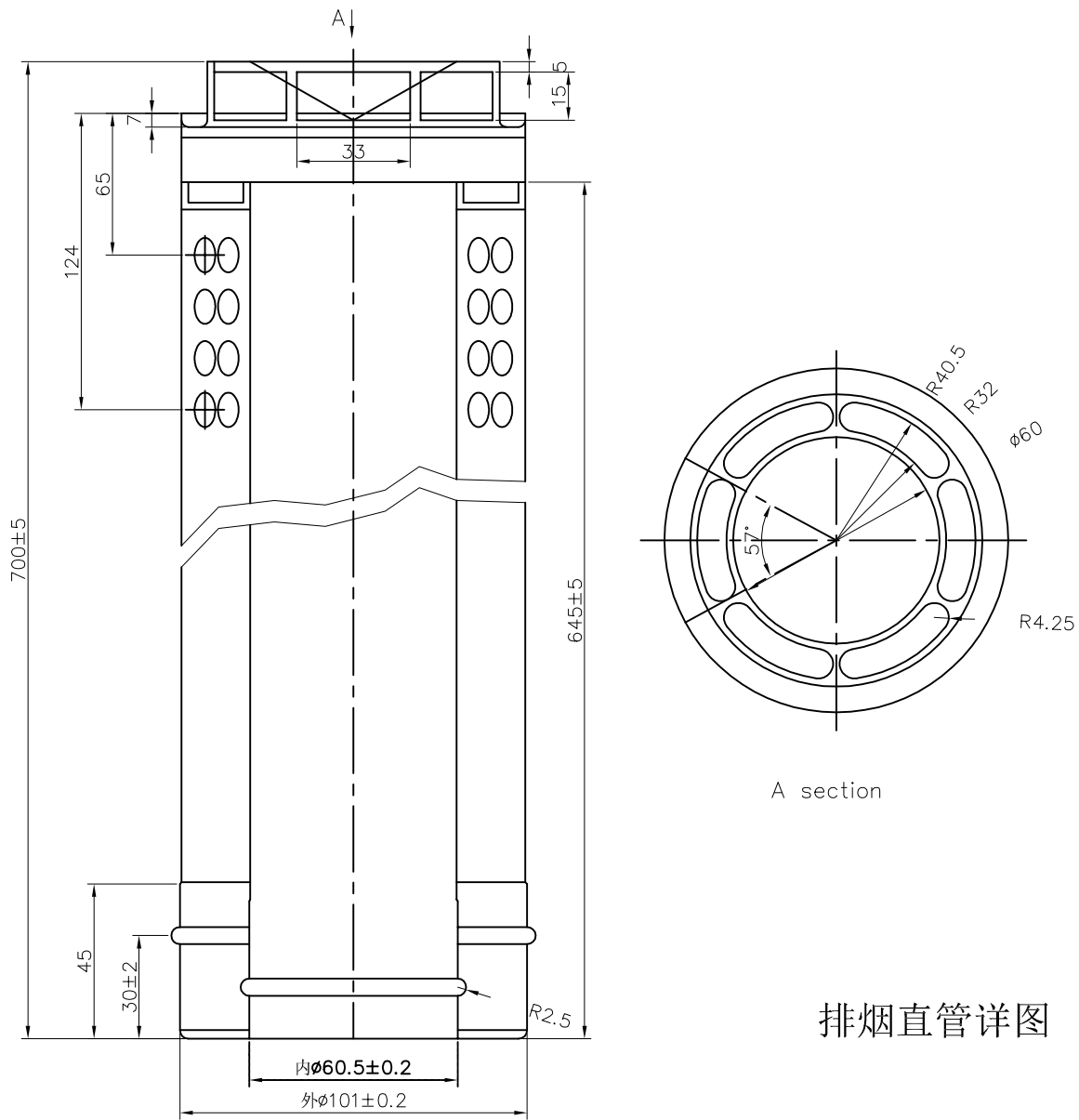


Degree of precision	over 3 up to 6 mm	±1°	±30'	±20'	±10'
	over 6 up to 30 mm				
	over 30 up to 120 mm				
	over 120 mm				
Tolerance of angle dimension					
Coarse	±1°	±30'	±20'	±10'	
Middle					
Precise					

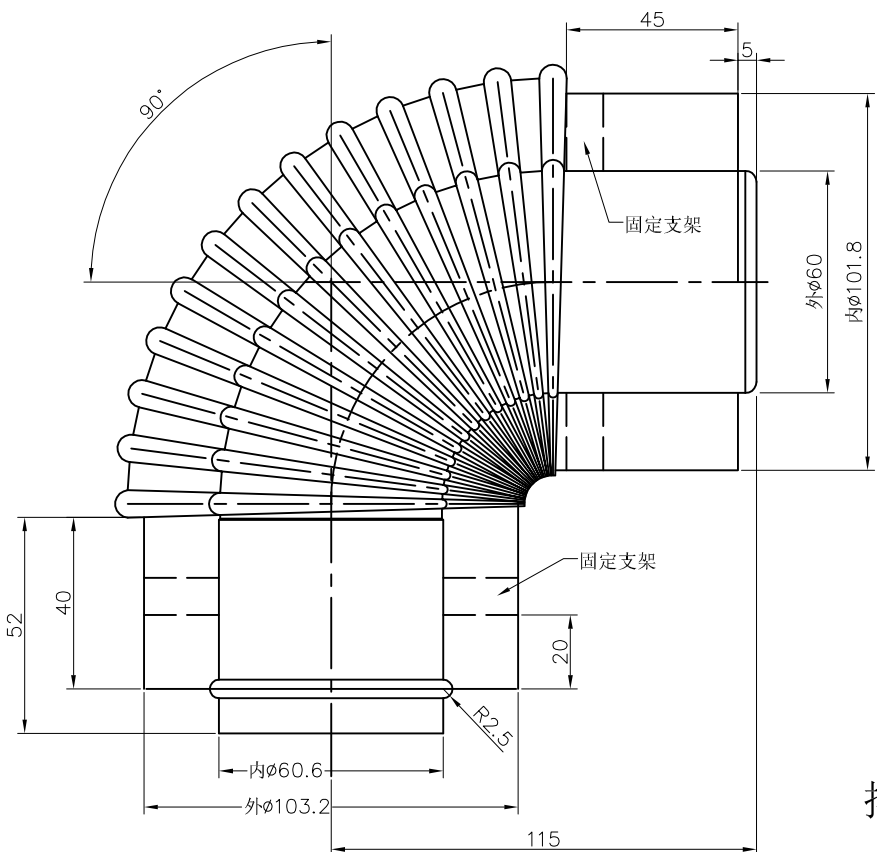
由 Autodesk 教育版产品制作

To terms of law we reserve us the ownership of the present sketch with prohibition of use and reproduction

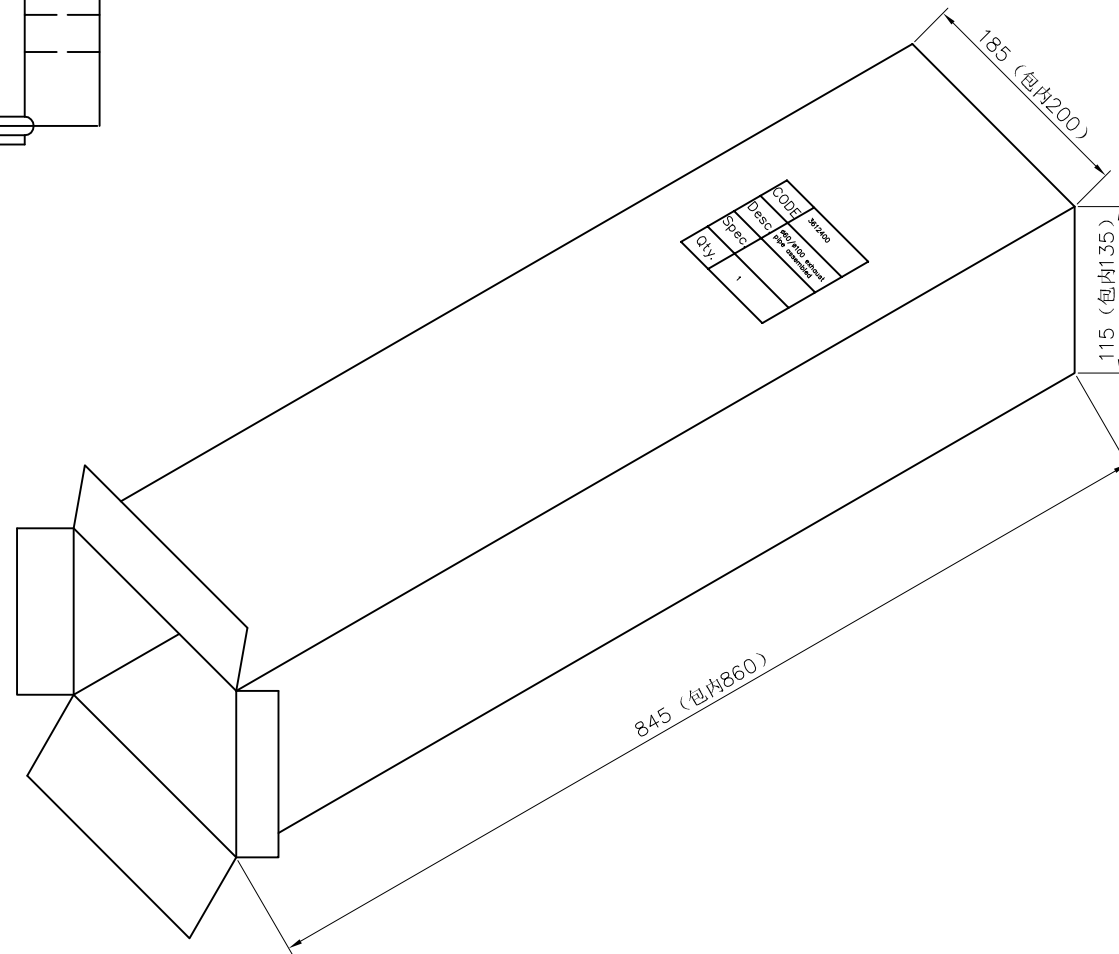
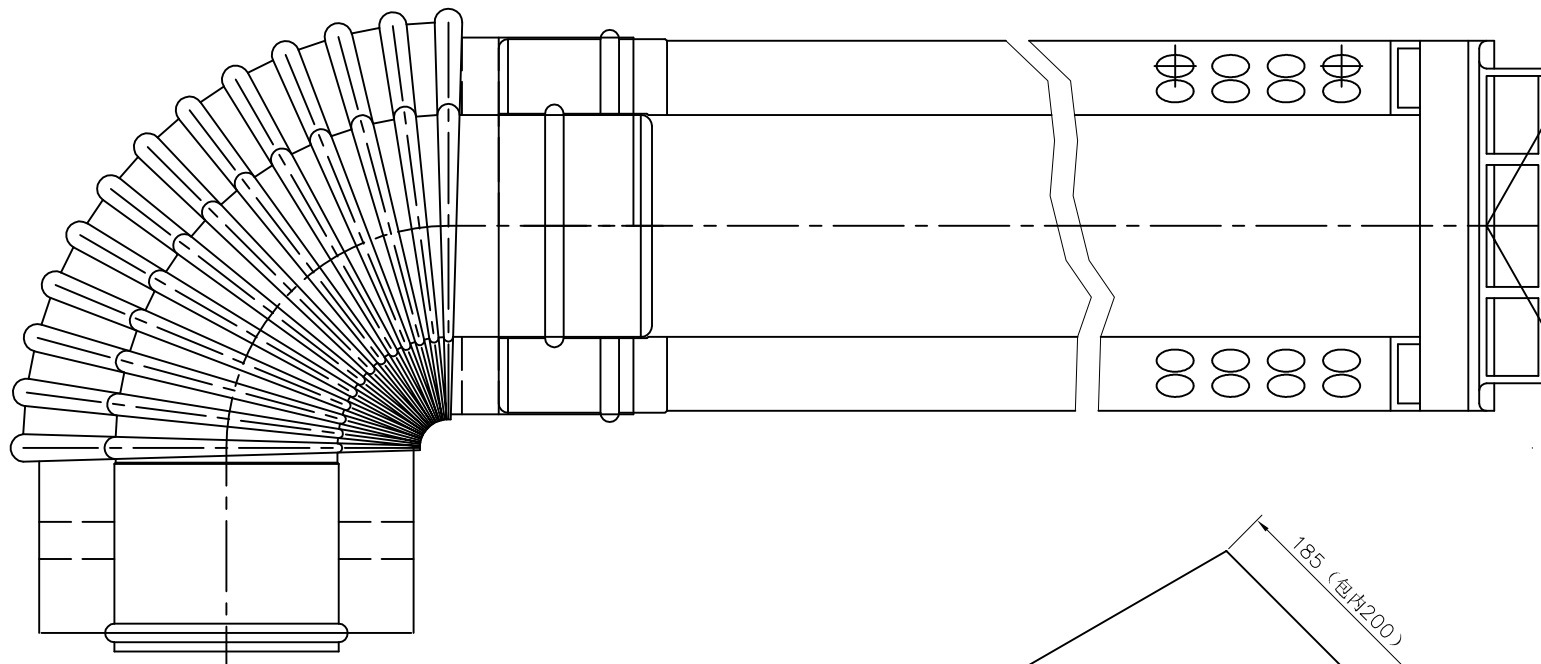
Degree of precision	up to 0.2	±0.1	±0.2	±0.3	±0.5	-	-
	0.2 to 0.5	±0.1	±0.2	±0.3	±0.5	-	-
	0.5 to 1.2	±0.1	±0.2	±0.3	±0.5	-	-
	1.2 to 2.0	±0.1	±0.2	±0.3	±0.5	-	-
Tolerance of linear dimension							
over 2 mm	±0.1	±0.15	±0.2	±0.3	±0.5	-	-
2 to 5 mm	±0.1	±0.15	±0.2	±0.3	±0.5	-	-
5 to 10 mm	±0.1	±0.15	±0.2	±0.3	±0.5	-	-
10 to 30 mm	±0.1	±0.15	±0.2	±0.3	±0.5	-	-
30 to 50 mm	±0.1	±0.15	±0.2	±0.3	±0.5	-	-
50 to 100 mm	±0.1	±0.15	±0.2	±0.3	±0.5	-	-
100 to 300 mm	±0.1	±0.15	±0.2	±0.3	±0.5	-	-
300 to 500 mm	±0.1	±0.15	±0.2	±0.3	±0.5	-	-
500 to 1000 mm	±0.1	±0.15	±0.2	±0.3	±0.5	-	-
over 1000 mm	±0.1	±0.15	±0.2	±0.3	±0.5	-	-



排烟直管详图



排烟弯管详图



Note:
Exhaust pipe carton box include: exhaust pipe bending, exhaust pipe stright, one roll aluminized paper

Scale		The quotas without indication of tolerance are with degree of precision		Name	Date
1:1		<input type="checkbox"/> COARSE <input checked="" type="checkbox"/> MIDDLE <input type="checkbox"/> PRECISE conforming UNI5307		Wangkaiwen	20140826
		Denomination			
Ariston thermo (China) Co., Ltd. No.9 Xing Chuang Yi Road Wuxi Singapore Industrial Park Wuxi, JiangSu 214028 P.R.China		ø60/ø100 exhaust pipe assembled			
		Material			
		SUS304 (t=0.3)			
		Finish or Treatment			
		It replaces		Code or Number of Sketch	
				3612400	
		Visual angle			

Index of Modify